



**2015 MP8 and 2014 MP8 Black
Covert Scouting Camera
Instruction Manual**

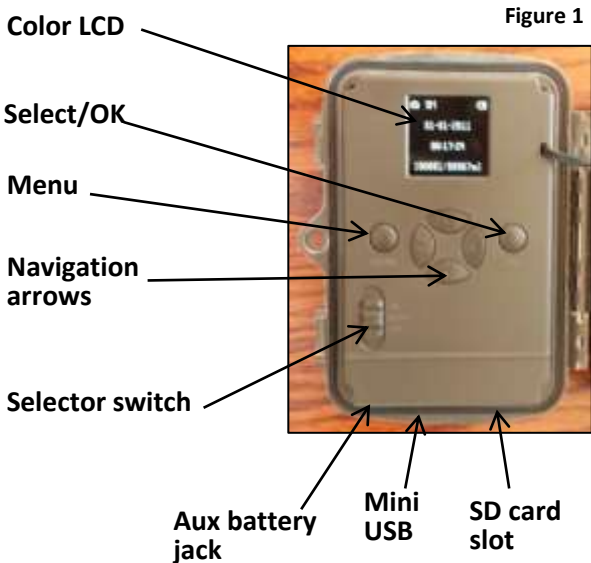


Table of Contents

Camera button info diagram:.....	3
Installing the batteries	4
Installing the SD card	5
Customizing the camera settings.....	7
Setting the camera mode:.....	8
Camera mode settings:	8
Video mode settings:	9
PIR tab:.....	10
SYS tab.....	14
Viewing photos on the color display:.....	18
Manually taking photos or video:	20
Tricks and Tips/Trouble Shooting	21
Covert Scouting Cameras Warranty:.....	24
Covert Warranty Policy and Procedure:	24
Covert International Warranty Policy and Procedure: ..	26
Covert International Warranty:.....	25

Congratulations on your purchase of the 2015 MP8/MP8 Black Covert Scouting Camera! We truly value your business and will strive to provide you top quality customer service should you ever need help with any of our products. Check out our other products on our website at www.covertscoutingcameras.com

Camera button info diagram: (Fig. 1)



Installing the batteries

MP8/MP8 Black's can function short term on 4AA batteries. We suggest you use 8AA batteries to maximize camera performance and battery life. Using Covert 2300mAh, NiMH rechargeable AA batteries can extend the battery life significantly.

Install the batteries by sliding the top battery in to the sleeve first, then depressing the spring with the other battery and snapping down in place. Pay attention to the (+) or (-) molded into each sleeve to determine if you insert the positive or negative end into the sleeve first. Negative battery terminal always contacts the spring.



Figure 1

Installing the SD card

To be able to power up the camera you will need to install a Covert SD card in the slot in the bottom of the camera. See figure 3 below for card orientation. Push into the card slot until it clicks and release. To remove, repeat that process, the card will pop out enough to remove. You can use any SD card size up to 16GB. You must have the SD card in the camera to be able to turn the camera on and set it up.



Figure 3

Understanding main screen info:

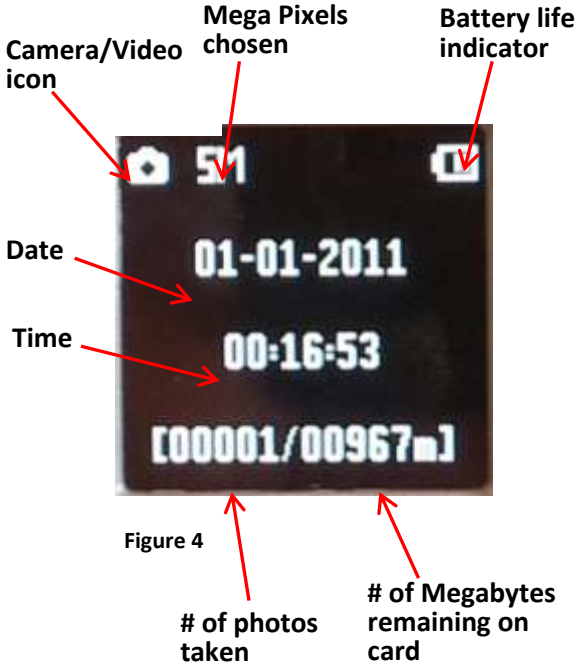


Figure 4

Customizing the camera settings

Your camera is set to function with the default settings without any further customization. However, you will likely want to at least set the clock and date. The following information will help you customize your camera settings so you can get the most out of the trail camera experience.

To start, Press the **MENU** button once to open the customization menus. We will start with the **CAM** system tab. You will see **CAM**, **PIR**, and **SYS** tabs across the top of the screen. **CAM** should be highlighted in white. (Figure 5).



Figure 5

Setting the camera mode:

Press the ▼ button to enter the Camera Mode option. Either **Photo** or **Video** will show up in a white box. Press the ► button to toggle between **Photo** or **Video** until the option you want shows in the white box. Press **OK** to save this setting. The white box will turn red to indicate it's saved.

NOTE: If you do not press **OK**, your setting will return back to the previous setting.

Camera mode settings:

PHOTO SIZE: Press the ▼ or ▲ button to enter the **Photo Size** option.

Press the ► arrow repeatedly to toggle between 3mp, 5mp, and 8mp. Press **OK** once the desired option shows in the white box. Again, the box will turn red.

PHOTO BURST: Your camera can take a 1, 2 or 3 shot burst every time the PIR is triggered to take a photo.

Press the ▲ or ▼ buttons to enter the **PHOTO BURST** option: To set this function, press the ► repeatedly to show the 1 Photo, 2 Photos, or 3 Photos option. Press **OK** to save the desired setting.

Video mode settings: (Figure 6).

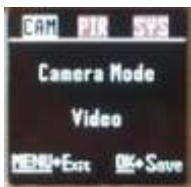


Figure 6

VIDEO SIZE: You can choose from VGA(640x480) or QVGA(320x240)

Press the ► button to toggle between the 2 options. Press **OK** to save the setting.

VIDEO LENGTH: You can adjust the length of time the camera takes a video from 5-60 seconds. Press the ▼ button to enter the **VIDEO LENGTH** option. Press the ◀ or ▶ buttons repeatedly to change the number of seconds shown in the white box. **Long videos fill the SD card up quickly.**

PIR tab:

Press the ▲ or ▼ buttons repeatedly until only the top tab menu is highlighted in white. Press the ► or ◀ button to highlight the **PIR** tab in white. Screen should appear like Figure 7.



Figure 7

SENSITIVITY: There may be situations where you might feel the camera is not catching animals that are nearby or maybe the camera is triggering too easily. You can adjust the sensitivity of your camera to help with this. Under most conditions, the **NORMAL** option will work the best. In high temperatures, the **HIGH** setting might help differentiate between the outside temps and the body temps of the animal. In cold conditions, you may find that the **LOW** option is best as the camera can easily differentiate the outside temps from the body temps of the subject. If you are using the time

lapse function, you would choose **OFF** to turn off the PIR.

Press the ▼ button to enter the **Sensitivity** option. Press the ► button repeatedly to toggle between the options in the white box. Once the desired option is chosen, press the **OK** button to save the setting.

TRIGGER INTERVAL: Allows you to customize how often the camera can be allowed to take a photo. Press the ▲ or ▼ arrow to enter the **Trigger Interval option**. Repeatedly press the ► or ◀ to adjust the timing. Options are 5-60 seconds (5 second increments) and 1-60 minutes. Once you have chosen your desired trigger interval, press the **OK** button to save the setting.

TIP: You can press and hold the ◀ or ► button to speed through the settings rather than repeatedly pressing the button.

TIME LAPSE: Press the ▼ or ▲ arrow to enter the **Time-Lapse** option. This option allows your camera to automatically take a photo without being triggered by the PIR. If you already set the **Sensitivity** to **OFF**, then the camera will only take photos when the **Time-Lapse** option is on. If you have the PIR set to **LOW**, **NORMAL**, or **HIGH**, the camera will also take photos when the PIR is triggered. To turn the **Time-Lapse** option **ON**, use the ◀ or ▶ buttons to choose a time option. 5-60 seconds (in 5 second increments) and 2-60 minutes. Once you have chosen the time option you want, press **OK** to save the setting. The camera will continuously take photos in timed increments you set.

NOTE: Remember, this will generate a lot of photos and you may want to check more frequently as it will fill the SD card up fast. Use max size SD card for best performance.

START-STOP: If you only want your camera to be on during part of the day each day you can set the Start-Stop function. Press the ▲ or ▼ buttons to enter the Start-Stop option. The default setting is **OFF**. Press the ► button to toggle the setting to **ON** and press **OK**. See Fig 8&9 below



Figure 8



Figure 9

Once you press **OK** you will see the screen in Fig. 9. Use the ▲ ▼ buttons to set the time in hours (military time) and press the ► button to change to minutes and use the ▲ ▼ to set the minutes.

Press the ► button to navigate to the Stop settings and repeat the process from above to set the Stop time. You can press the ► ◀ buttons to navigate back through the settings if necessary. Once you

have the start-stop times set, press **OK** to save the settings.

SYS tab

The SYS tab controls all the internal system information such as Setting the clock, Time stamp, Password, Over Write, and Format. (Fig.10)

Figure 10



SETTING THE CLOCK: Scroll over to the **SYS** tab using the ► ◀ buttons and then press the ▼ button to enter the **Set Clock** option. Press **OK**. You will see the following screen. (Fig 11)

Figure 11



Press the ▲ ▼ button to set the **MONTH**, the press the ► button to navigate to the **DATE** and use the ▼ ▲ buttons to set the date. Press the ► button to navigate to the year and set that using the ▲ ▼ buttons.

Navigate down to the time using the ► button and follow the same process as above to set the time. Once you have the time set, press **OK** to save the settings.

TIME STAMP: Press the ▼ button to enter the **Time Stamp** option. The default setting for the **Time Stamp** option is **ON**. This puts the Time, Date, Temp and moon phase at the bottom of the camera. If you do not want the Time Stamp **ON**, use the ► button to toggle to the **OFF** position. Press **OK** to save the settings.

PASSWORD: Press the ▼ button to enter the **Password** option. You can password protect your camera with this setting. The default setting is **OFF**. **Make sure you write down your password or store it in your phone so you don't lose it.** If you set this

option to **ON**, you will not be able to access your camera without the password. This is a very important security feature. To turn the password ON, press the ► button to toggle to **ON** and press **OK**. You will see the following screen. (Fig 12).



Figure 12

Use the ▲ ▼ and ► buttons to set the password. Press OK to save the settings. When you turn your camera back on, you will need to use the ▲, ▼ and ► buttons to enter the password, and then press **OK**.

If you forget your password, please call Covert Scouting Cameras at 877-462-1799 to request RA #. Please make sure that you register your camera on our warranty site as we verify all password resets through our warranty database.

OVER WRITE: The **Over Write** function will save new photos over the old photos on your SD card if it becomes full. Each time a new photo is taken the oldest photo on the card will be overwritten.

The default for this option is **OFF**. If you want to change this, Press the ▼ button to enter the **Over Write** option and then press the ► button to toggle the setting to **ON**. Press **OK** to save the setting.

FORMAT: If you get into the field and forgot to clear your SD card before you went out, you can clear the contents of the card using the **Format** option.

If you have a new SD card, you should always format the card before you use it in the camera. To format the SD card, press the ▼ button until the **Format** option is entered. Press the **OK** button. You will see a screen that has Yes and No on it, use the ► button to navigate to **YES** and press **OK**.

DEFAULT SET: The **Default Set** option is the last option in the **SYS** tab. If you want to start clean and

re-set all the settings to the original factory default settings you will choose this option. Press the ▼ button to enter the **Default Set** option. Press **OK**. Make sure 100% that you want to re-set all the settings to factory default as you will have to start over with the process in re-doing all the settings.

Viewing photos on the color display:

You can view your photos on the color display when in the field. If you want to do this, make sure the **Selector switch** is set to **SETUP**. Press the **OK** button. You can use the ▲ and ▼ buttons to toggle through the photos. If you see photos you want to delete, show the image on the screen and press the **MENU** button. You will get a screen that looks like Figure 13 below.

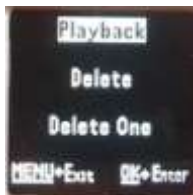


Figure 13

PLAYBACK: The Playback option plays the videos on the SD card.

DELETE ONE: This option deletes the photos that are showing. Press the ▼ button to highlight the **Delete One** option and press **OK**.

You will see the screen below. Use the ► button to navigate to **YES** and press **OK**. If you do not want to delete, press the **MENU** button again and to exit. (Figure 14).



Figure 14

AUXILIARY POWER: Your camera comes with an Auxiliary power jack. If you want to hook up an external 6V battery to power the camera, you can. The jack necessary to make the connection is a standard 4mm jack.

MINI USB: Your camera comes with a mini USB cable to hook up to your computer or TV to look at the photos. Plug the small jack of the cable into the bottom of the camera. Plug the USB end into the USB port on your home computer or USB capable television. The USB will recognize the new hardware and download the proper driver to view the images or videos. The screen on the camera will say Mass Storage. If the image files don't automatically open, you will need to open it using Windows Explorer to locate the camera. It will appear as **removable disk**.

Manually taking photos or video:

Put the camera in Set-up mode by making sure the selector switch is in the SETUP position. If you are in the MENU mode, press MENU to go to the home screen.

Depending on if you are in VIDEO or CAMERA mode, the following steps will vary. In CAMERA mode, to manually take a photo, press the ► button. You will notice the photo counter increase by 1. If you

are in VIDEO mode, press the ► button to start the video and the ► again to stop the video. You will see the video time counter on the screen when you first press the ►

Tricks and Tips/Trouble Shooting

- For best results, mount the camera approximately 4 feet off the ground facing straight forward as level as possible.
- To enhance the flash, we recommend positioning the camera in an area with a backdrop to reflect the maximum amount of light. For instance, place the camera 20-30' from a field edge facing the woods. For the inside of timber, positioning the camera facing a thicket approximately 20-30' away.
- Try to set the camera up so it's not facing directly into the sun either in the morning or the evening when game movement is at its peak.
- Use the Covert Tree60 mounting system to mount the camera up higher pointing down on them for a better look. Works great when you

don't have a straight tree to attach to.
www.covertscoutingcameras.com

ISSUE: Camera will not turn on.

POSSIBLE PROBLEM:

- No SD card in the card slot
- Corrupt SD card
- Batteries are too low to power up camera

POSSIBLE SOLUTION:

- Insert SD card in card slot
- Try a different SD card
- Install fresh batteries

When turning switch from the setup position to the on position the screen goes black. It is supposed to do this.

If you are still having problems with your MP8/MP8 Black after checking the above potential causes and solutions please contact Customer Service at 877-462-1799 or e-mail us at support@dlccovert.com

Covert Scouting Cameras Warranty:

Covert Scouting Cameras warrants this product for a period of 1 year from the date of purchase. This warranty only covers manufacturer's defects and does not cover damage caused by misuse or abuse of the product. This warranty includes one year repair or replacement service on product from date of purchase. If you have problems with this product, please do not contact the store you purchased it from. Contact Covert Scouting Cameras Customer service toll free at 877-462-1799 or e-mail us at support@dlccovert.com. Proof of purchase will be required for replacement.

Covert Warranty Policy and Procedure:

To receive repair or replacement by Covert Scouting Cameras one year warranty, we ask you to do the following:

-All returns must have a Return Authorization (RA#) prior to sending in the camera.

1. E-mail or call our customer service department.
-support@dlccovert.com
-toll free: 877-462-1799
Please explain to the technician what issues you are having with your camera.
2. If you are asked to return your camera to Covert Scouting Cameras, you will be responsible for the cost of shipping to Covert Scouting Cameras. In return, Covert will provide fast and exceptional service as well as incur the cost of shipping back to you. (Only within the Continental United States.)
3. Please include the following information when sending in your camera.
-RA# on outside of package
-Return address
-Telephone and Email address
-Brief description of the problem
-Copy of proof of purchase
4. Please make sure all the accessories are removed (i.e. SD Cards, batteries, solar panels, SIM cards, straps, ETC.) before shipping. All

accessories received by Covert Scouting
Cameras will NOT be returned.

5. This warranty only covers manufactures' defects and does not cover damaged caused by misuse or abuse of the product.

Covert International Warranty Policy and Procedure:

1. Outside the US, service is the available through the distributor/reseller of purchase.
2. All returns must have an RA# provided by Covert. Copy of Proof of Purchase is required for all returns.
3. Covert is not responsible for lost or damaged products incurred during the shipping process.
4. Insurance for returns is at the discretion of the customer. Additional charges apply for return shipping.

In the maintenance of the product, Covert Scouting Cameras may use new or equivalent, to new parts,

assemblies or products for equal or improved quality. All defective parts, assemblies, and products became the property of Covert. Return and claims will be handled according to the current Covert Scouting Cameras, Inc. procedure.

These warranties shall not apply to any defect, failure or damage caused by improper use or improper or inadequate maintenance and care. Covert shall not be obligated under these warranties:

- a. To repair damage resulting from attempts by personnel other than Covert representatives to install, repair or service the product unless directed by a Covert representative.
- b. To repair damage, malfunction or degradation of performance resulting from improper use or connection to incompatible equipment or memory.
- c. To repair damage, malfunction, or degradation of performance caused by the use of non-Covert supplies or consumables

- or the use of Covert supplies not specified for use with this product.
- d. To repair an item that has been modified or integrated with other products when the effect of such modification or integration increases the time or difficulty of servicing the product or degrades performance or reliability.
 - e. To perform user maintenance or cleaning or to repair damage, malfunction.
 - f. To repair damage, malfunction or degradation of performance resulting from use of the product in an environment not meeting the operating specifications set forth in the user manual.
 - g. To repair damage, malfunction or degradation of performance resulting from failure to properly prepare and transport the product as prescribed in published product materials
 - h. Failure to register the product warranty within 10 days of purchase.

- i. To replace items that have been refilled, are used up, abused, misused, or tampered with in any way.
- j. To install replacement items that are not considered customer replaceable.
- k. To support software not supplied by Covert
- l. To provide software or firmware updates or upgrades.

Any service identified in the above list and provided by Covert at the Customer's request shall be invoiced to the customer, at Covert's then current rates for parts, labor and shipping.

THE ABOVE WARRANTIES ARE GIVEN BY COVERT WITH RESPECT TO THIS PRODUCT AND ITS RELATED ITEMS IN LIEU OF ANY OTHER WARRANTIES, EXPRESS OR IMPLIED. COVERT AND ITS VENDORS DISCLAIM ANY IMPLIED WARRANTIES OF MERCHANTABILITY OR FITNESS FOR A PARTICULAR PURPOSE OR ANY SIMILAR STANDARD IMPOSED BY APPLICABLE LEGISLATION. COVERTS RESPONSIBILITY TO REPAIR, REPLACE, FOR DEFECTIVE PRODUCTS AND RELATED ITEMS IS SOLE AND EXCLUSIVE

REMEDY PROVIDED TO THE CUSTOMER FOR BREACH OF THESE WARRANTIES.

Some states, provinces, and countries do not allow the exclusion or limitation of incidental or consequential damages or exclusions or limitation on the duration of implied warranties or conditions, so the above limitations or exclusions may not apply to you. This warranty gives you specific legal rights, and you may also have other rights that vary by state, province, or country.

TO THE EXTENT ALLOWED BY LOCAL LAW, EXCEPT FOR THE OBLIGATIONS SPECIFICALLY SET FORTH IN THIS WARRANTY STATEMENT, IN NO EVENT SHALL COVERT AND ITS VENDORS BE LIABLE FOR ANY INDIRECT, SPECIAL, INCIDENTAL OR CONSEQUENTIAL DAMAGES (INCLUDING LOSS OF PROFITS) WHETHER BASED ON CONTRACT, TORT, OR ANY OTHER LEGAL THEORY AND IRRESPECTIVE OF WHETHER COVERT OR THE VENDOR HAS ADVANCE NOTICE OF THE POSSIBILITY OF SUCH DAMAGES.